

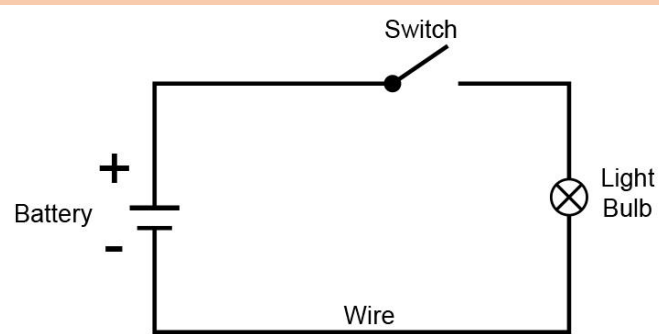
Year 6 Electricity- How can I make a bulb brighter?



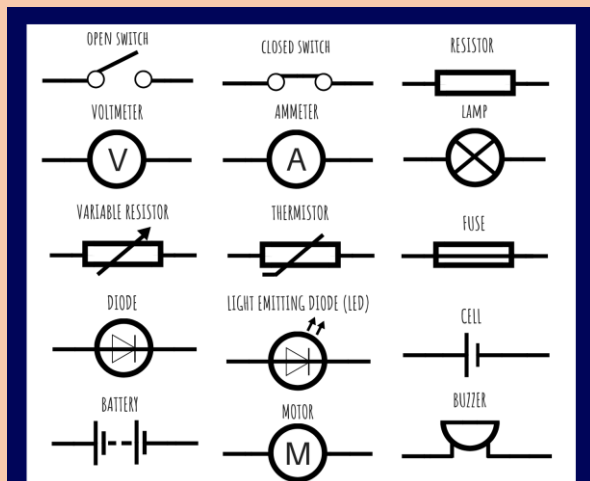
Glossary

- voltage – measure of the power of a cell
- circuit – path for transmitting electrical current
- cells- electrical power supply

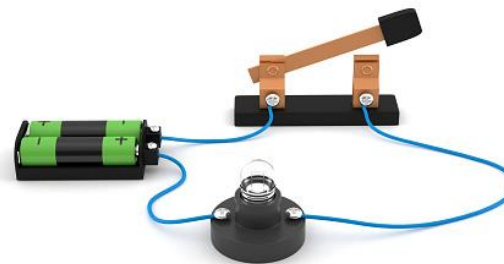
Simple electrical circuit diagram



Electrical Symbols



Simple electrical circuit



Red Hill Riches

I know:

The brightness of a lamp is dependant on the number and voltage of cells used in the circuit.

There are recognized symbols for a battery, bulb, motor, buzzer and wire.

Linked learning

A circuit needs to be complete to work

Switches can turn on/off a switch

Different metals have electrical conductivity