

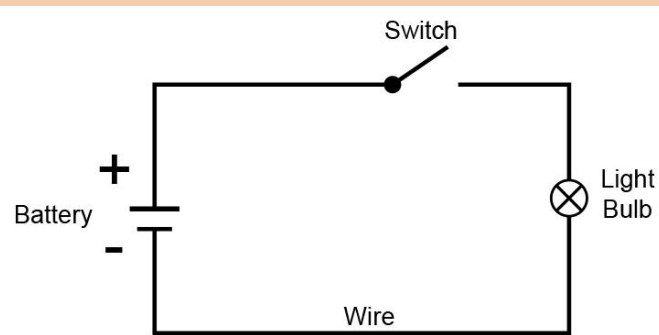
Year 6 Electricity- How can I make a bulb brighter?



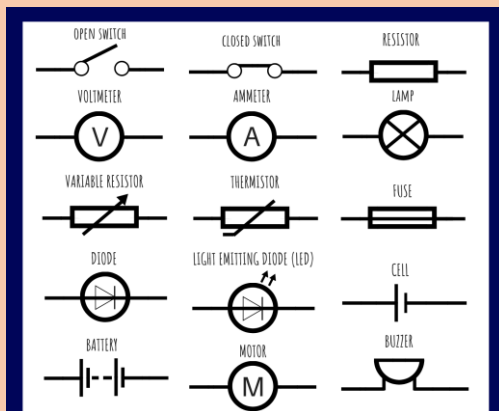
Glossary

- voltage – measure of the power of a cell
- circuit – path for transmitting electrical current
- cells- electrical power supply

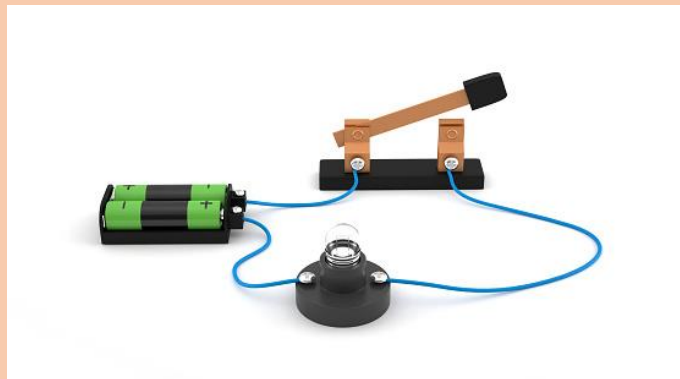
Simple electrical circuit diagram



Electrical Symbols



Simple electrical circuit



I know

-I know the brightness of a lamp or the volume of a buzzer is associated with the number and voltage of cells used in the circuit.

- I know that voltage is a measure of the power of a cell to produce electricity.
- I know how to predict whether components will function in a given circuit, depending on whether or not the circuit is complete; whether or not a switch is in an on or off position; and whether or not there is a cell to provide electrical current to the circuit.
- I know that as the number and voltage of cells in a circuit increases the brightness of a bulb or the volume of a buzzer.
- I know the recognized symbols for a battery, bulb, motor, buzzer and wire.
- To know how to construct a simple series circuit using components.